

(No Model.)

I. P. KILGORE.  
SNOW PLOW FLANGE.

No. 332,348.

Patented Dec. 15, 1885.

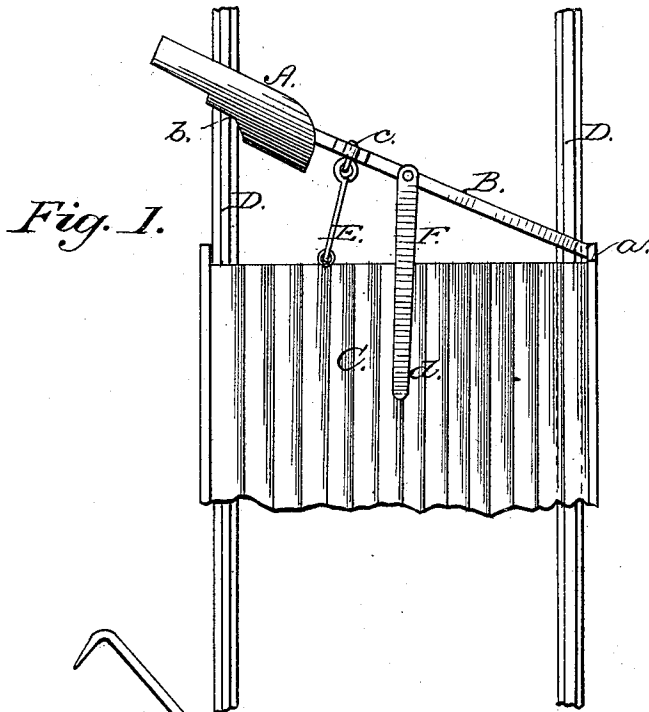


Fig. 1.

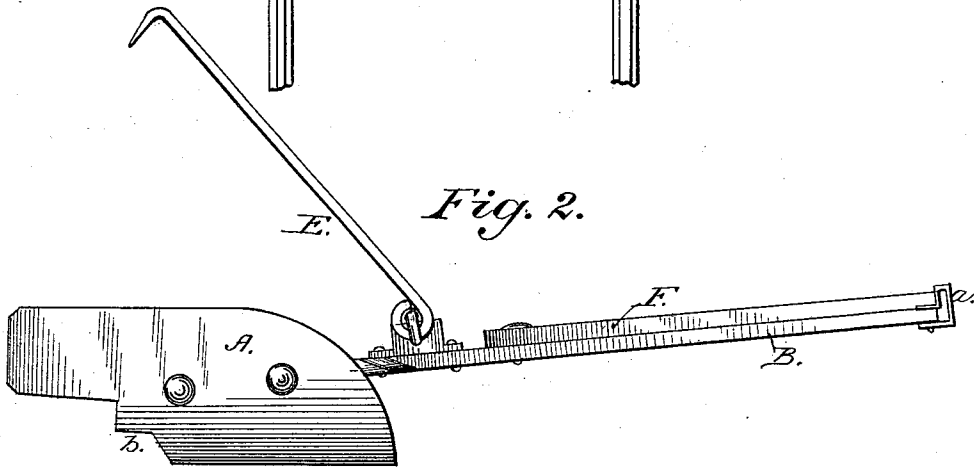


Fig. 2.

Witnesses:  
Darker & Sweet for  
H. E. Myrill

Inventor:  
Isaac P. Kilgore,  
By L. Bingham  
Atty.

# UNITED STATES PATENT OFFICE.

ISAAC P. KILGORE, OF WEST POINT, ILLINOIS.

## SNOW-PLOW FLANGE.

SPECIFICATION forming part of Letters Patent No. 332,348, dated December 15, 1885.

Application filed October 15, 1885. Serial No. 179,990. (No model.)

*To all whom it may concern:*

Be it known that I, ISAAC P. KILGORE, of West Point, in the county of Hancock and State of Illinois, have invented certain new and useful Improvements in Snow-Plow Flanges; and I do hereby declare that the following is a full, clear, and exact description of the invention, which will enable others skilled in the art to which it appertains to make and use the same, reference being had to the accompanying drawings, and to letters of reference marked thereon, which form a part of this specification.

My invention relates to improvements in devices for cleaning snow from railroad-tracks, the object being to provide an improved, simplified, and novel construction whereby the operation of removing the snow from the tracks may be accomplished in the simplest and best possible manner; and my improvements consist, essentially, of the details of construction and general arrangement of parts, all as will be hereinafter fully described, and pointed out in the claims.

In the accompanying drawings, Figure 1 represents a top plan view of my invention as applied in position to a railroad hand-car, and Fig. 2 a side elevation thereof.

Similar letters of reference indicate like parts in both figures.

Referring to the drawings, A represents the metallic flange or mold-board, rigidly secured to the outer end of the supporting-bar B, which in its turn is connected to one side of the hand-car C by means of the loop or thimble *a*, fitting upon the projecting end of one of the handles of the car, as shown in Fig. 1, the said flange or mold-board having its lower central edge notched or recessed out, as shown at *b*, to correspond with the shape of the rail D, upon the top of which it is adapted to move. A metallic rod, E, is connected to a swivel-bolt, *c*, upon the supporting-bar B, and

provided upon its inner end with a hook for engagement with an eyebolt upon the hand-car to draw the flange or mold-board forward as the car is propelled over the track.

To the central portion of the supporting-bar B is attached the one end of a lever or handle, F, the inner end, *d*, of which projects over upon the platform of the car, the object of the same being to provide a ready and convenient means for raising the flange or mold-board over any obstructions which may occur in the track.

The device thus described is attached to the rear of the hand or other car, and is propelled forward with the same, the flange or mold-board turning the snow over the rail from the inside of the track for a distance of about twelve inches wide, although this width can be increased or diminished at pleasure according to the length of flange used. The point of the flange or mold-board is preferably curved slightly upward, so as to enable the same to easily ride over such projections as nail-heads, knots, or other similar irregularities in the track.

Having thus described my invention, I claim as new and useful and desire to secure by Letters Patent—

The herein-described device for removing snow from railroad-tracks, consisting of the flange or mold-board A, provided with the notches or recesses *b*, supporting-bar B, having loop or thimble *a*, rod E, and lever or handle F, all co-operating, substantially as and for the purpose specified.

In testimony that I claim the foregoing as my own I affix my signature in presence of two witnesses.

ISAAC P. KILGORE.

Witnesses:

GEO. I. BAILY,  
JOHN K. HEMPSTED.