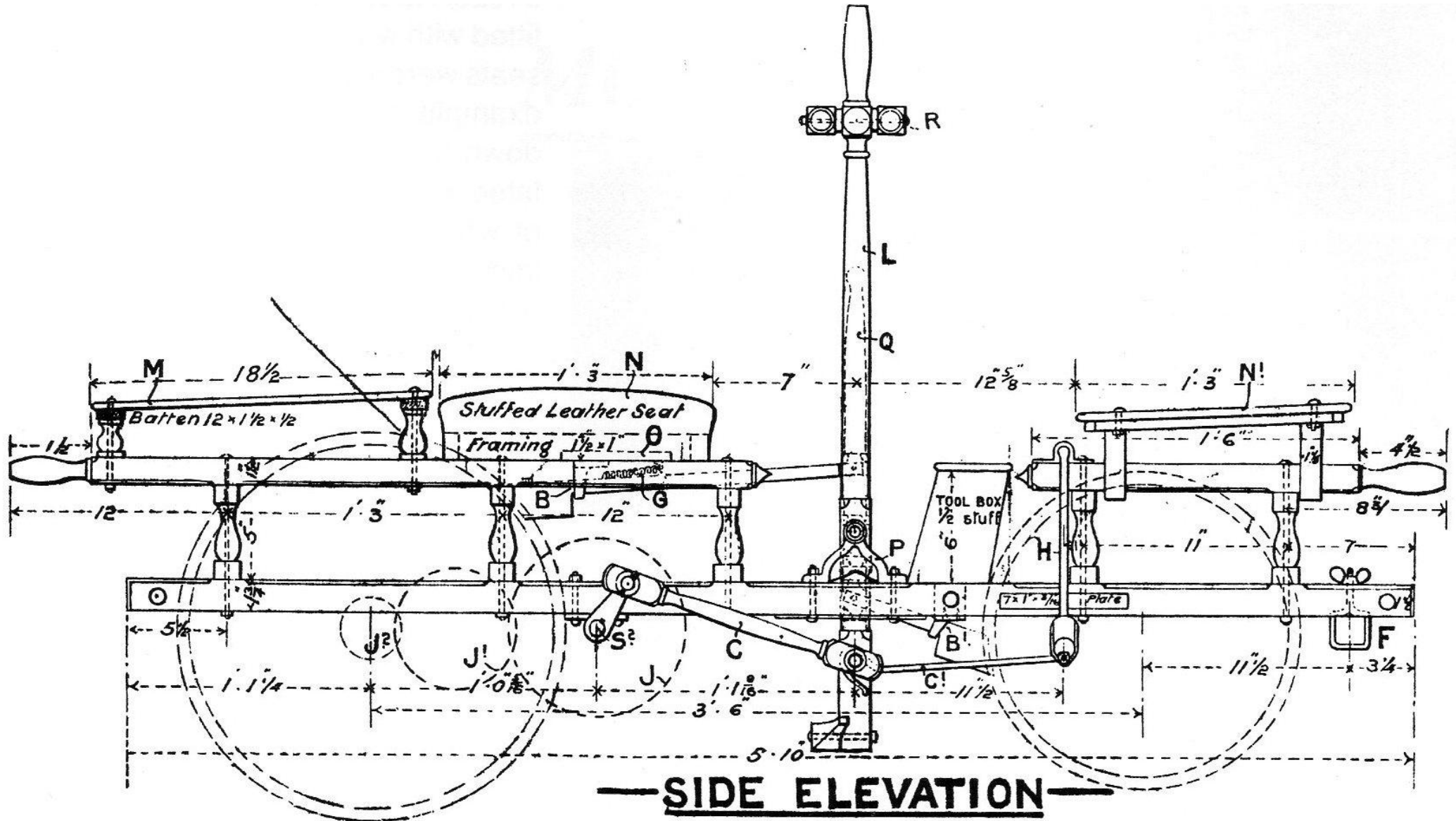
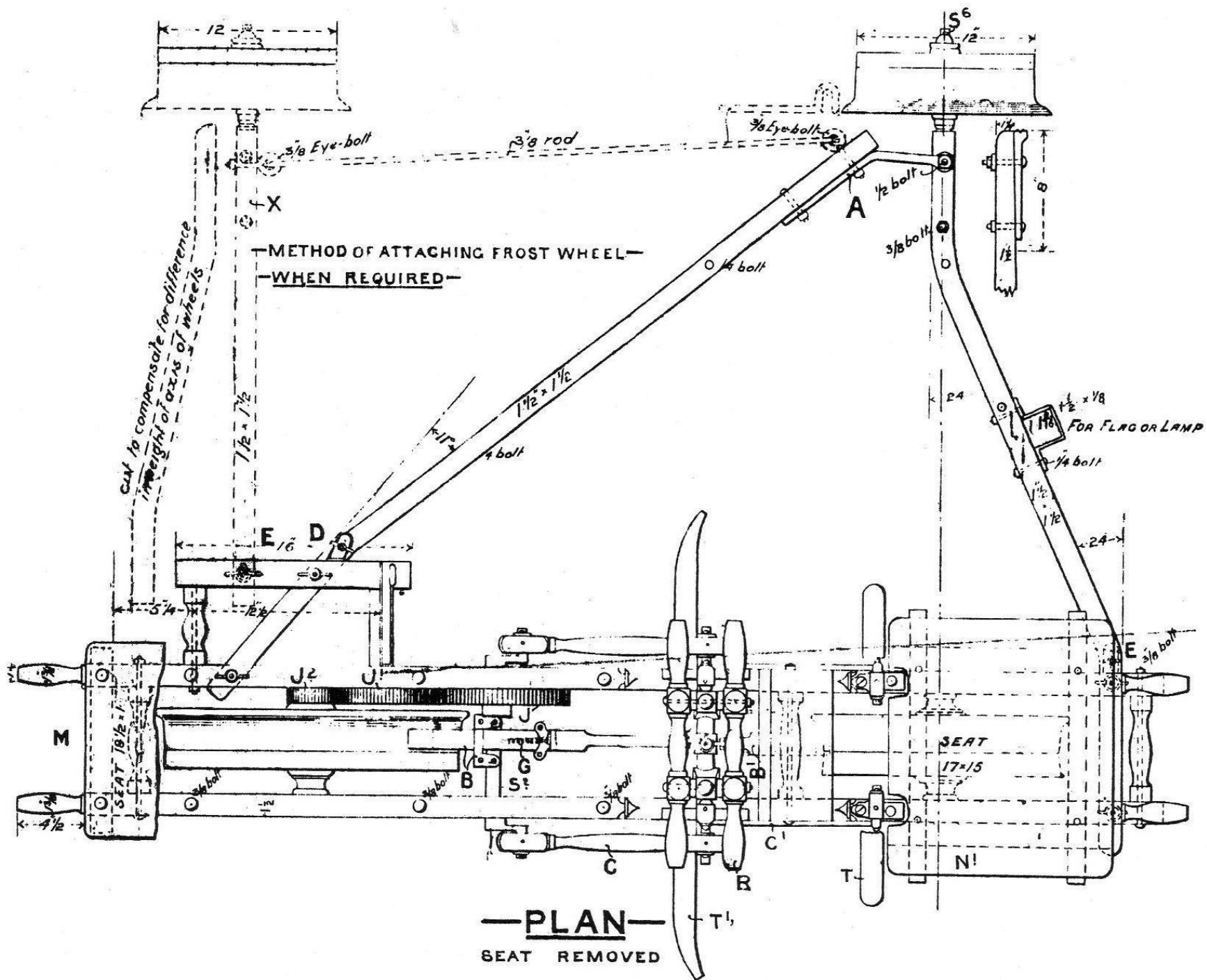


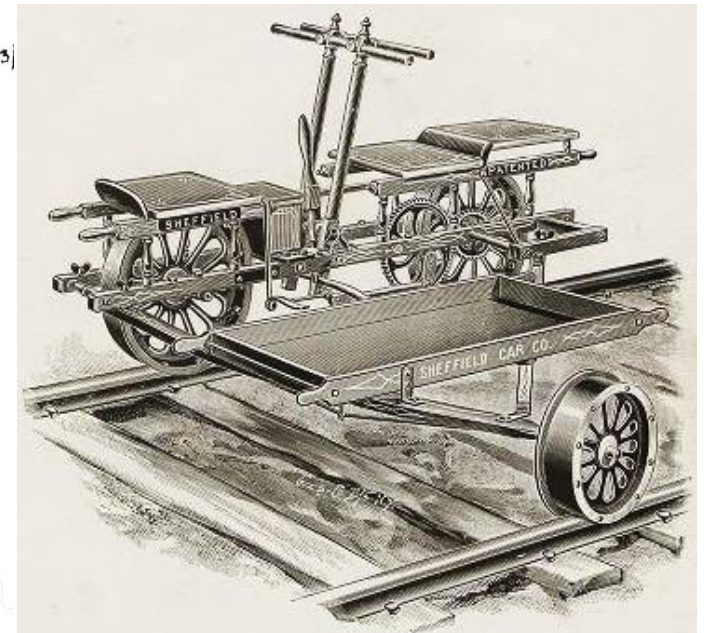
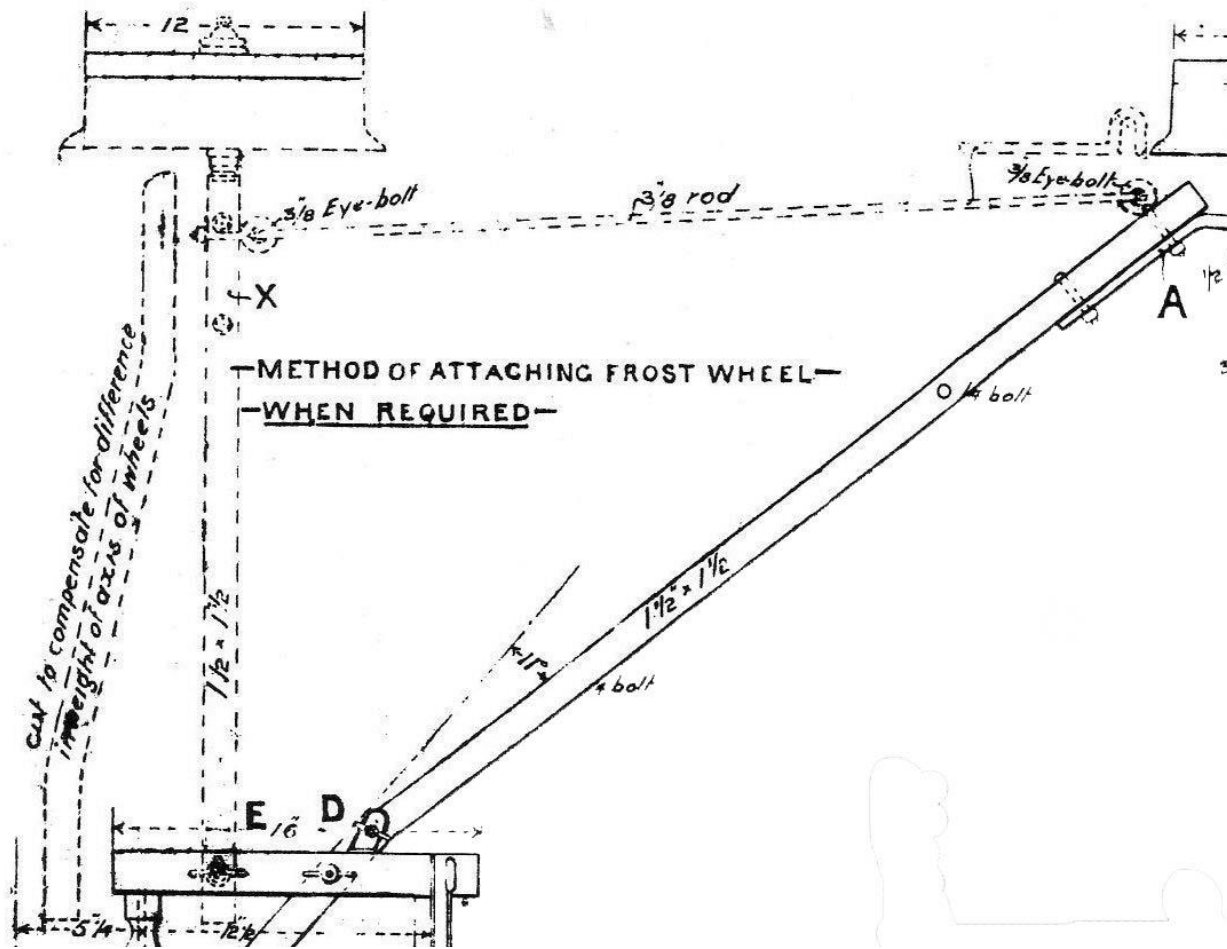
Sent in by Rich Harner

New Zealand Railways

c. 1905 "Jigger"







Sheffield No 3 of 18 94.

These drawings are a very close copy of the Sheffield No 3 and are probably the best available drawings in the world for that machine.