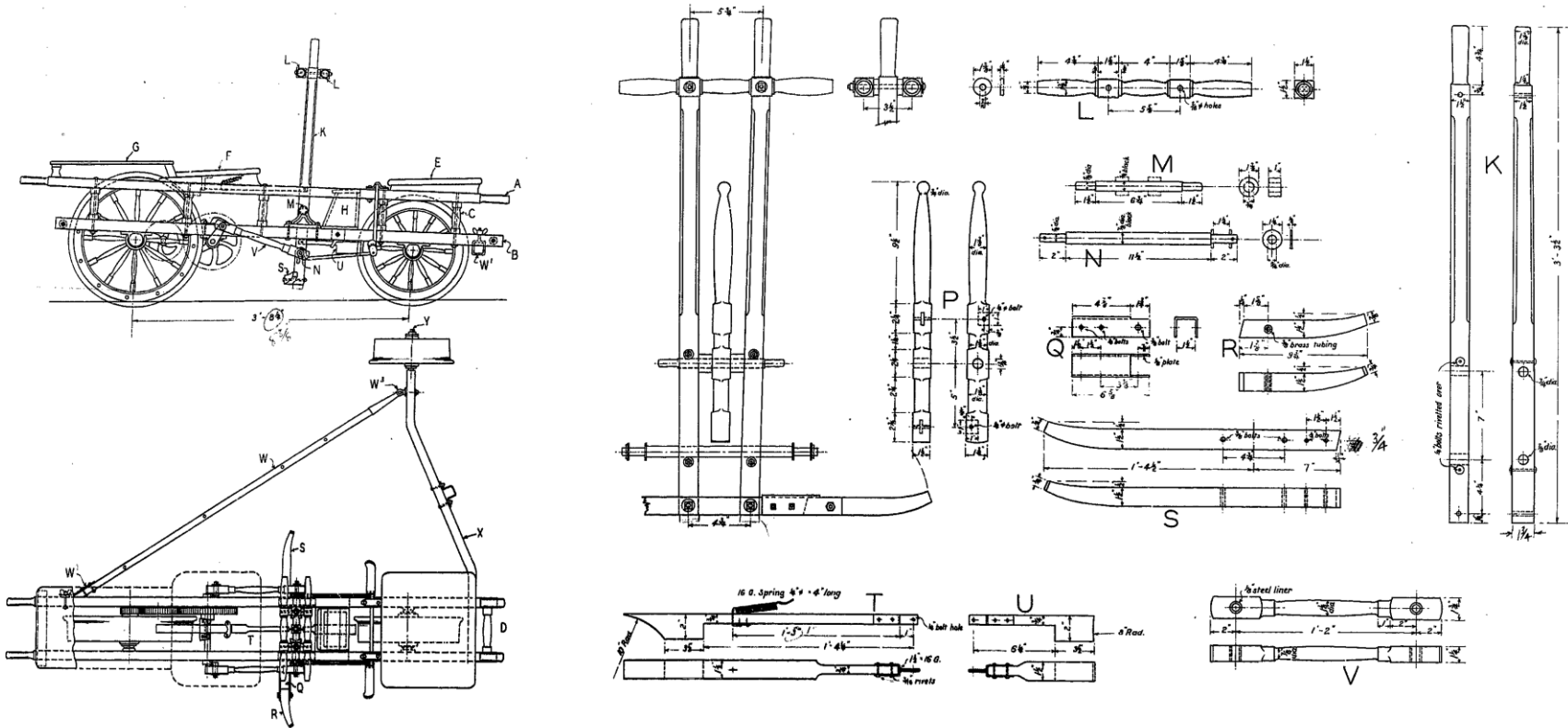


NZR 1938

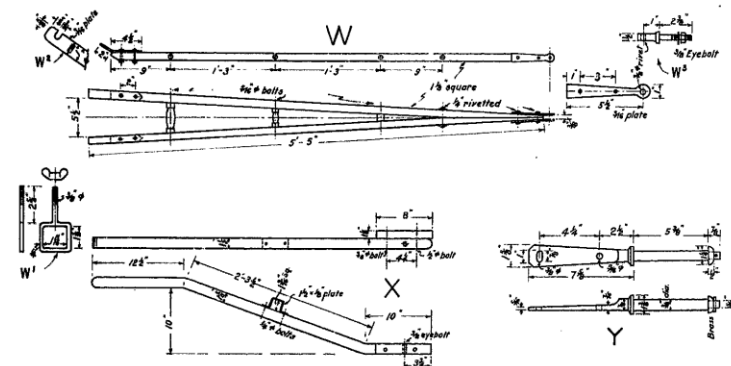
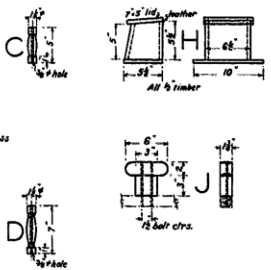
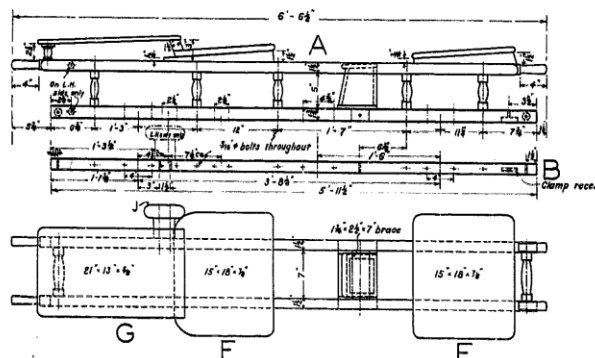
Sent in by Rich Harner

NZR Drawing No 51023 THREE WHEEL VELOCIPEDE 21 JAN 1938 (Amended 20-3-39)

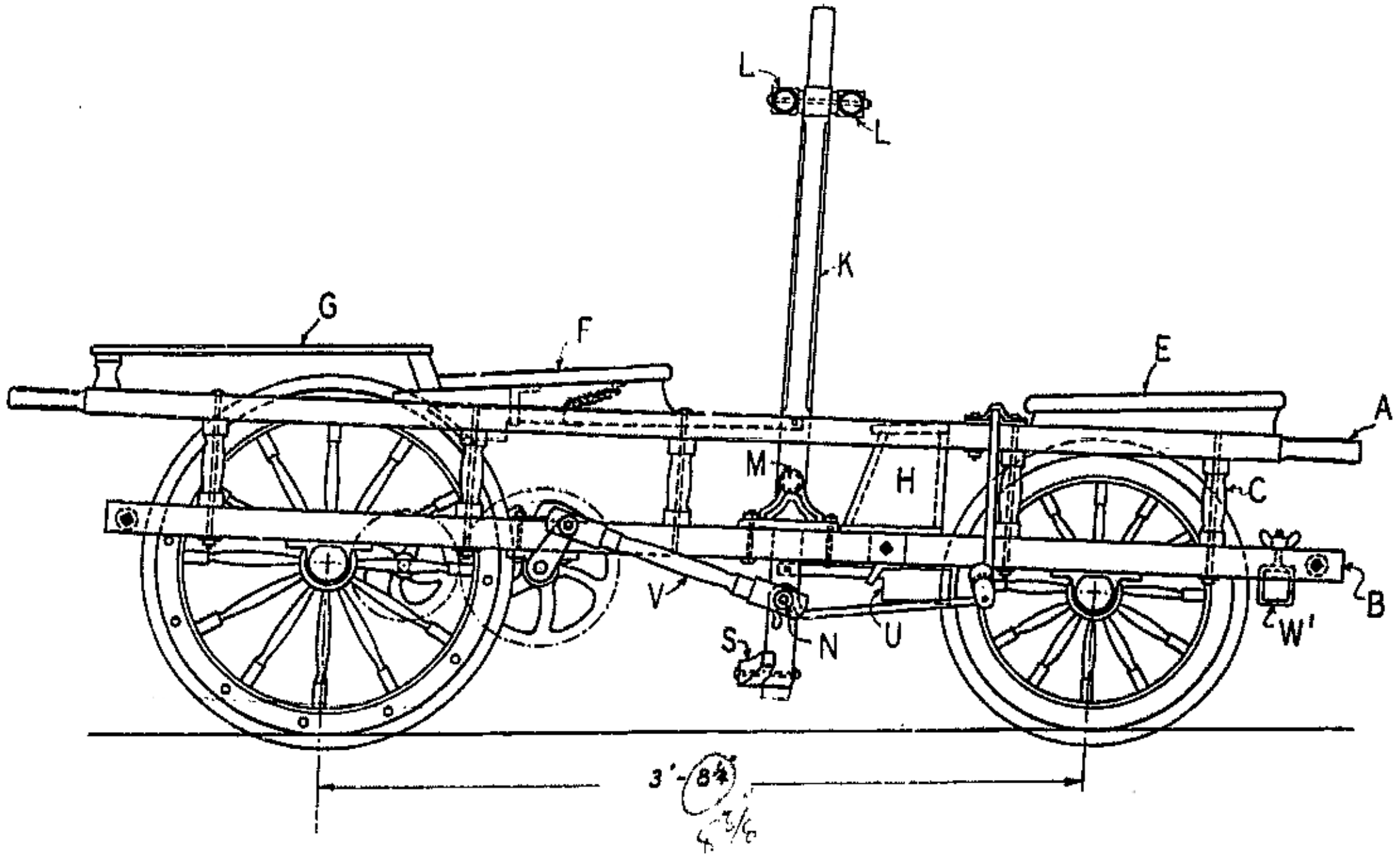


LIST OF PARTS				
ITEM	PART	MATL	QTY	REMARKS
1	Top frame	Wood	2	
2	Bottom frame	Wood	2	
3	Left pillar	"	10	
4	Right pillar	"	10	
5	Front seat	"	2	
6	Back seat	"	1	
7	Carrier	"	1	
8	Tool box	"	1	
9	Int' gear bracket	"	1	
10	Lever handles	"	2	
11	Cross handles	"	2	
12	Lever spindle	M.S.	1	
13	Conn. bar spindle	"	1	
14	Brake handle	Wood	1	
15	Foot plate	M.S.	1	
16	Hinged foot rest	Wood	1	
17	Foot rest	"	1	
18	Back brake	"	1	
19	Front axle	"	1	
20	Conn. rod	"	1	
21	Outrigger fork	"	1	
22	Outrigger arm	"	1	
23	axle	M.S.	1	
24	Stay clips	M.S.	2	
25	Outrigger swivel	"	1	

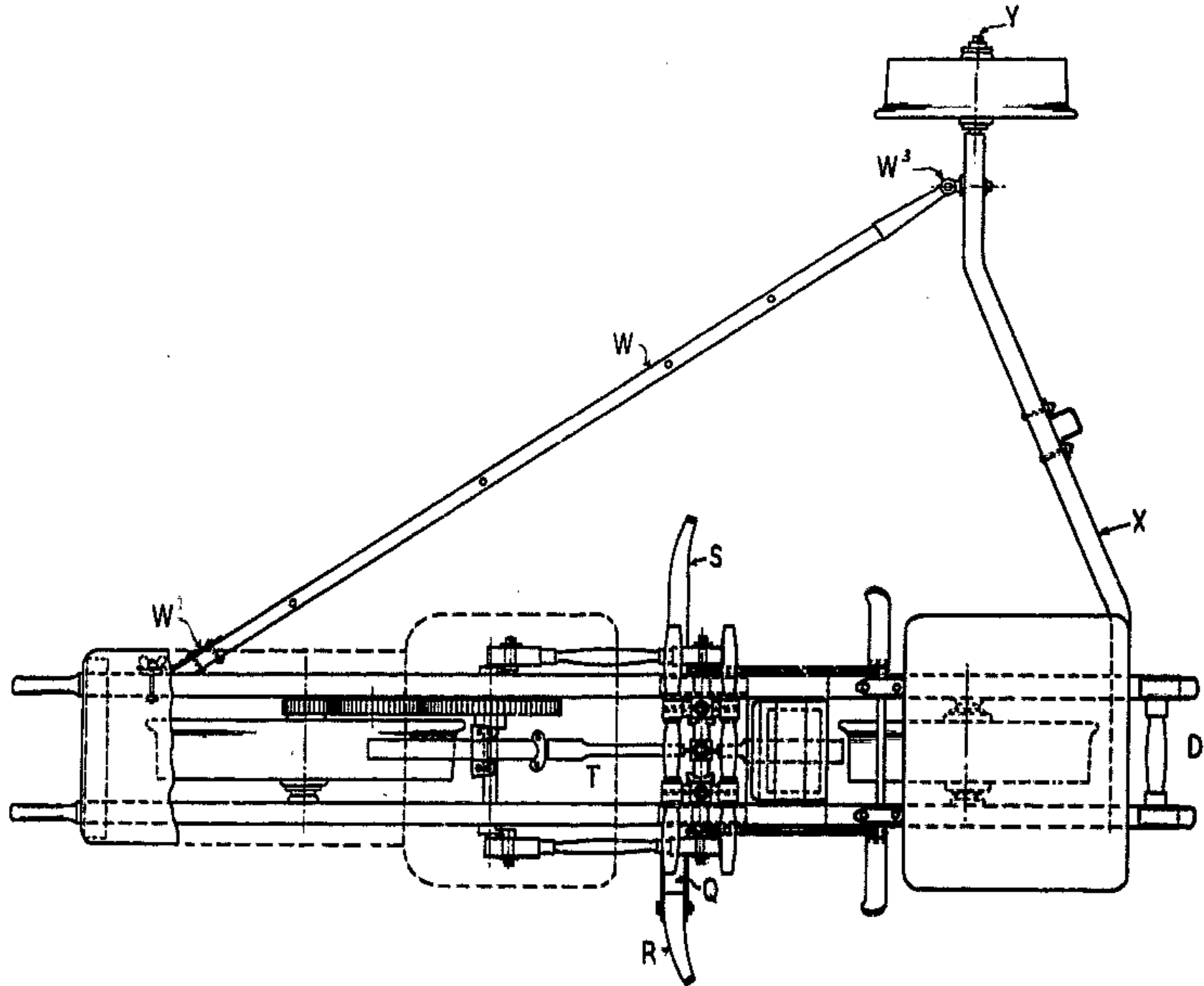
Bolts Required							
No	Length	Dia	Position	No	Length	Dia	Position
1	10 1/2"	3/8"	Frame	1	7"	3/8"	Outrigger fork
2	3 1/2"	"	"	1	4"	"	"
3	5 1/2"	"	"	1	2 1/2"	"	"
4	2"	"	Pull handles	1	4"	1/2"	Axle
5	4"	"	"	1	3"	1/2"	Hex Bolts
6	3"	"	Pedalal	2	1 1/2"	3/8"	Foot Pedal
7	2 1/2"	"	Wheels	1	2"	"	"
8	4 1/2"	1/2"	Seats				
9	2 1/2"	"	Washer bearings	N/A	1/2"	"	Washers
10	4"	"	Outrigger arms	8	1 1/2"	"	Round
11	2 1/2"	"	Brake handles	4	3/8"	"	"
12	4"	"	Outrigger clips	2	3/8"	"	"
13	1 1/2"	"	Foot shoes	24	1/2"	"	"
14	4"	"	"	24	1/2"	"	"
15	4 1/2"	1/2"	Collar pins	12	N/A	"	Brass screws
16	2 1/2"	"	Wheels	12	1 1/2"	"	Iron clch.



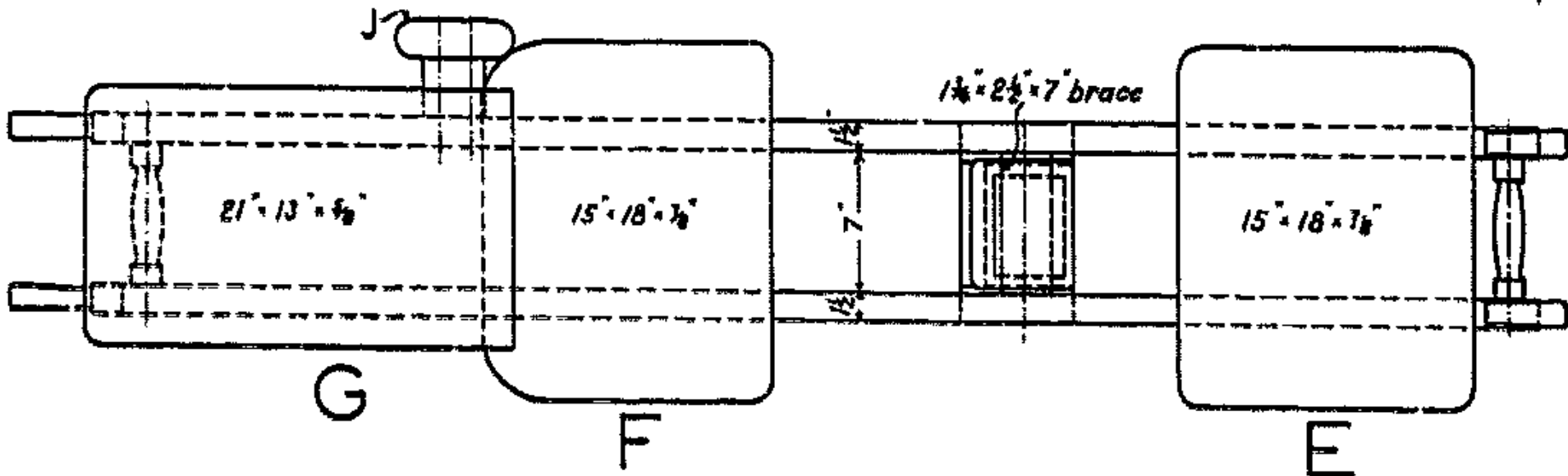
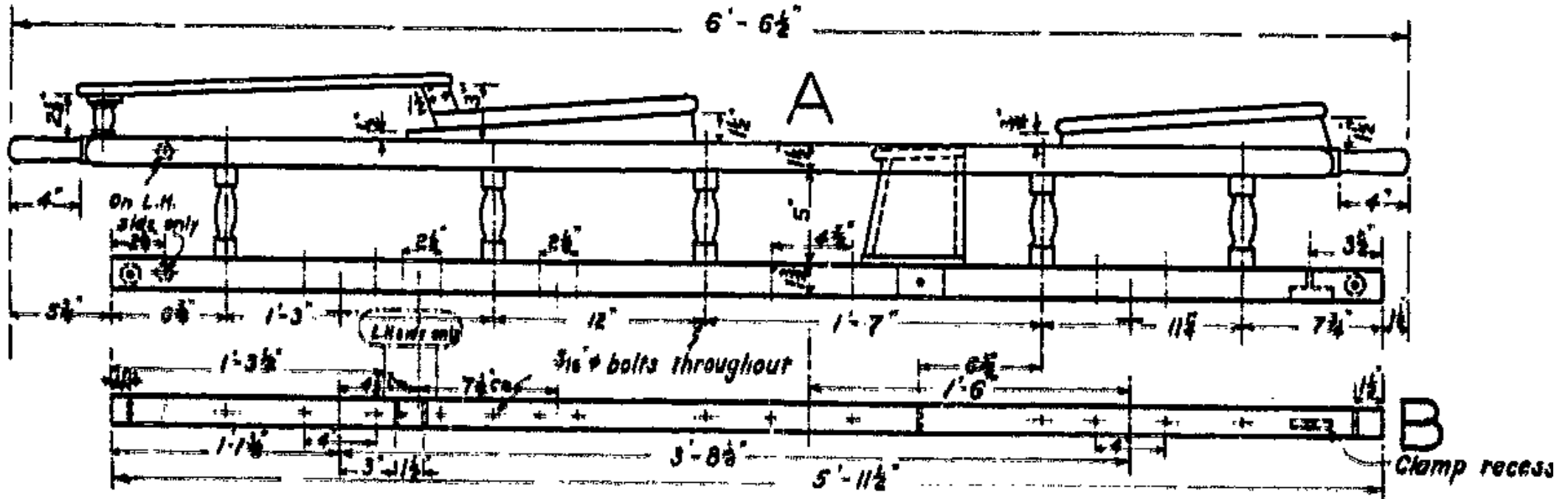
NZR 1938



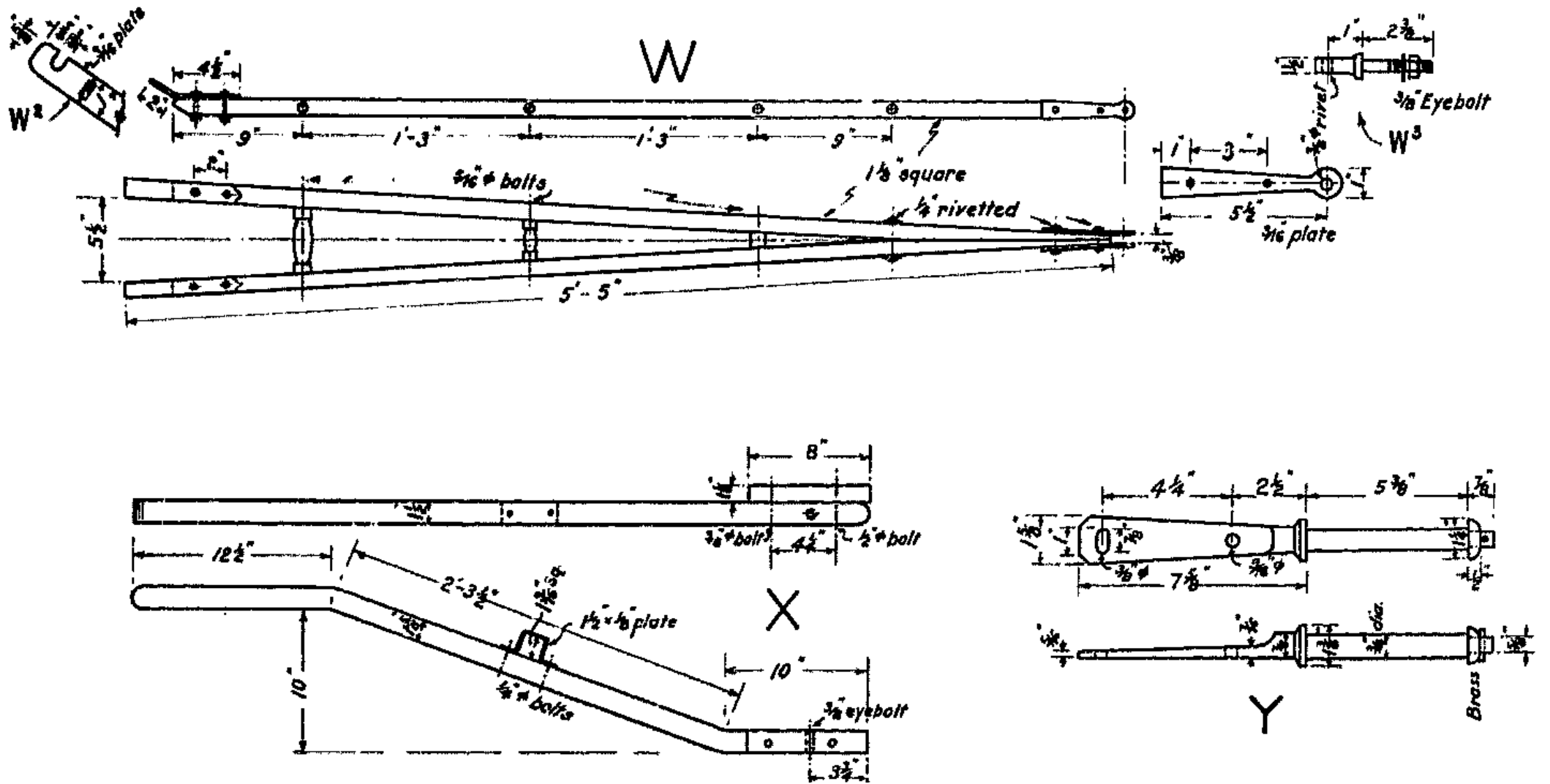
NZR 1938



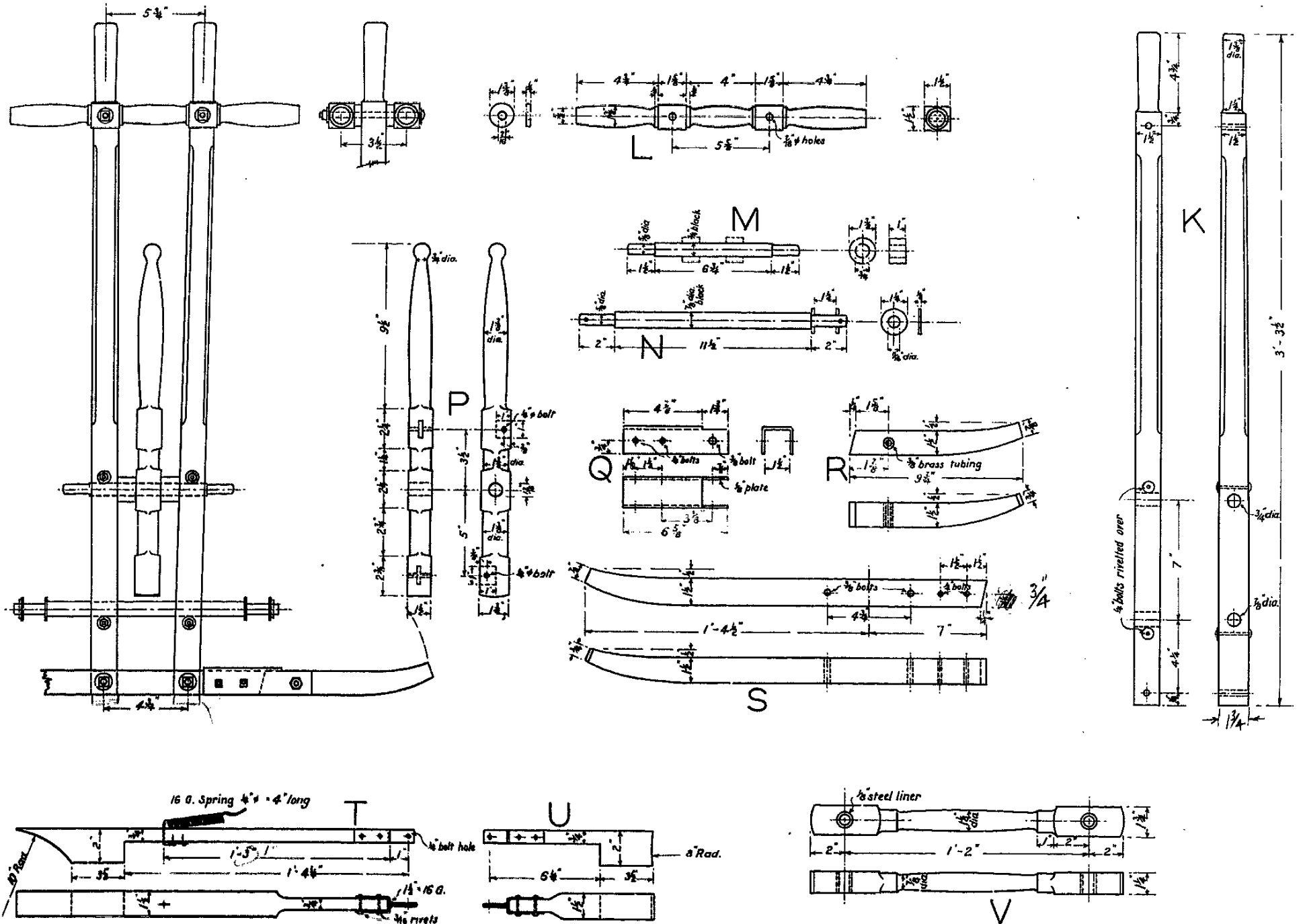
NZR 1938



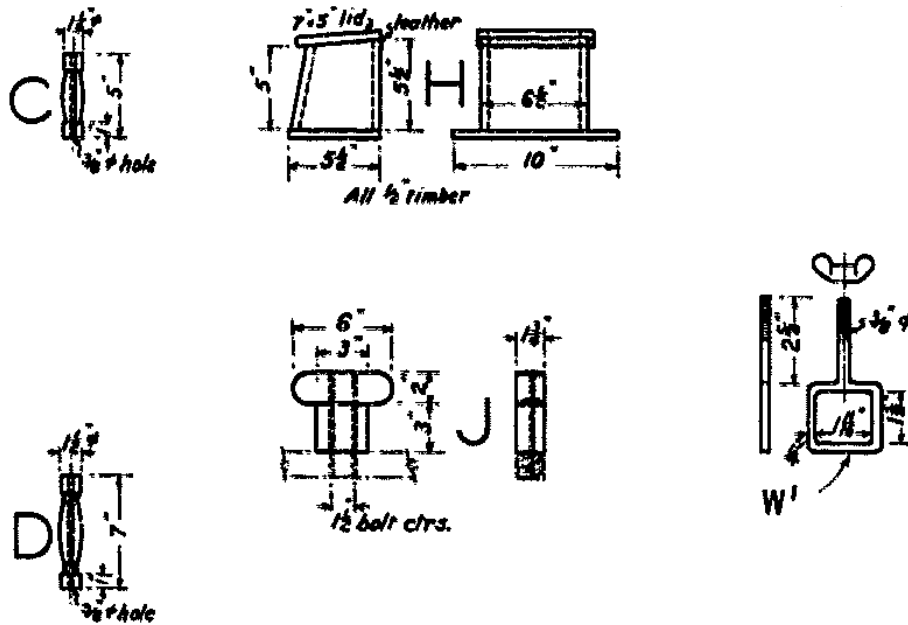
NZR 1938



NZR 1938



NZR 1938



This type of wheel are unique to New Zealand

Photo Garth Matterson

LIST OF PARTS				
ITEM	PART	MATL.	N ^o OFF	REMARKS
A	Top frame	Wood	2	
B	Bottom	"	2	
C	vertl. Pillar	"	10	
D	Horzl. "	"	2	
E	Front seat	"	1	
F	Back "	"	1	
G	Carrier	"	1	
H	Tool box	"	1	
J	Intm ^g gear bracket	"	1	
K	Lever Handles	"	2	
L	Cross Handles	"	2	
M	Lever spindle	M.S.	1	
N	Conn. Hook spindle	"	1	
P	Brake Handle	Wood	1	
Q	Foot Shoe	M.S.	1	
R	Hinged foot rest	Wood	1	
S	Foot Rest	"	1	
T	Back brake	"	1	
U	Front "	"	1	
V	Conn. rod	"	1	
W	Outrigger Fork	"	1	
X	Outrigger Arm	"	1	
Y	" axle	M.S.	1	
W ¹	Hold fast	M.S.	2	
W ²	Stay clips	"	2	
W ³	Outrigger Swivel	"	1	

Bolts Required							
N ^o	Length	Dia.	Position	N ^o	Length	Dia.	Position
2	7"	5/16"	Frame	1	7"	1/4"	Outrigger Fork
3	10 1/2"	"	"	1	5 1/2"	"	" "
2	9 1/2"	"	"	1	4"	"	" "
8	9"	"	"	1	2 1/2"	"	" "
2	5 1/2"	"	Pull Handles	1	4"	1/2"	Axle
2	4"	"	" "	1	3"	5/16"	Hex. Bolts
8	3"	"	Pedestal	2	3/8"	3/8"	Foot Pedal
12	2 1/2"	"	Wheels				
6	4 1/2"	1/4"	"				
2	3 1/2"	"	Seats				
2	2 1/2"	"	Rocker Bearings				
4	2"	"	Outrigger Arms	8	1/4"		Round
2	1 3/4"	"	Brake Handle	4	3/4"		
4	1 1/2"	"	Outrigger clips	2	9/16"		
1	2"	3/8"	Foot shoes	24	3/8"		
2	2"	1/4"	"	24	1/4"		
4	1 1/2"	3/16"	Cotter pins	12	N ^o 14		Brass Screws
2	1 1/2"	1/8"	"	12	- 12		Iron ct.sk. "
18	3 3/4"	1/4"	Wheels				